

# Voxel-spirit

Certified phantom for nanoCT measurements that allows quick and intuitive voxel size calibration. Voxel-spirit suits even strict Field of View (FOV) limits and high precision requirements.



0.06  $\mu\text{m}$  calibration precision



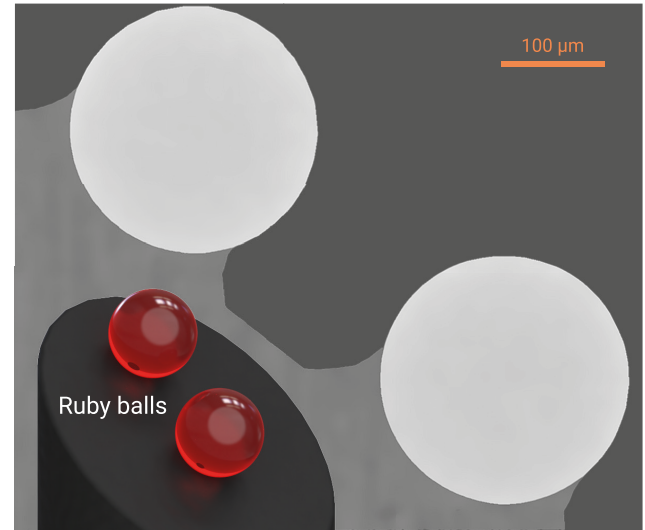
Reduction of calibration time



<1  $\mu\text{m}$  voxel size CT applications



Quick and easy use



CT slice of the phantom



Carbon-fiber-reinforced carbon rod

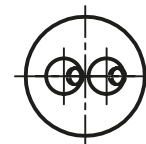
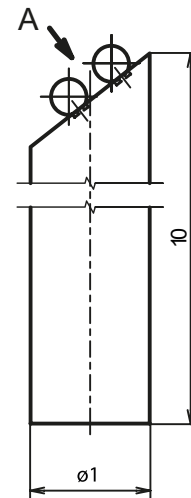
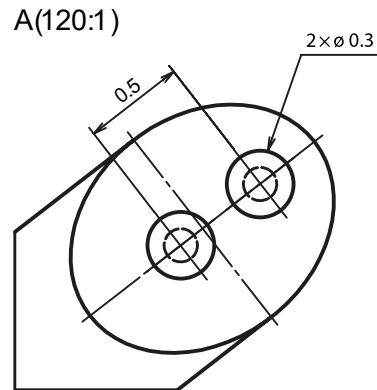


## Parameters of Voxel-Spirit

FoV requirements	0.6 mm x 0.7 mm
Balls specifications	diameter: 0.3 mm
	distance: 0.45 mm (certified precision: 0.06 μm)
Phantom holder specifications	diameter options: 1.5 mm, 3.0 mm, 5.0 mm
	length: 50 mm
Used materials	ruby, carbon, stainless steel
Calibration procedure	any image-processing software for CT data

## Standard Package

	Voxel-Spirit
	Phantom holder
Detailed description of the calibration procedure	
Distance measurement certificate	



\*all dimensions are in mm